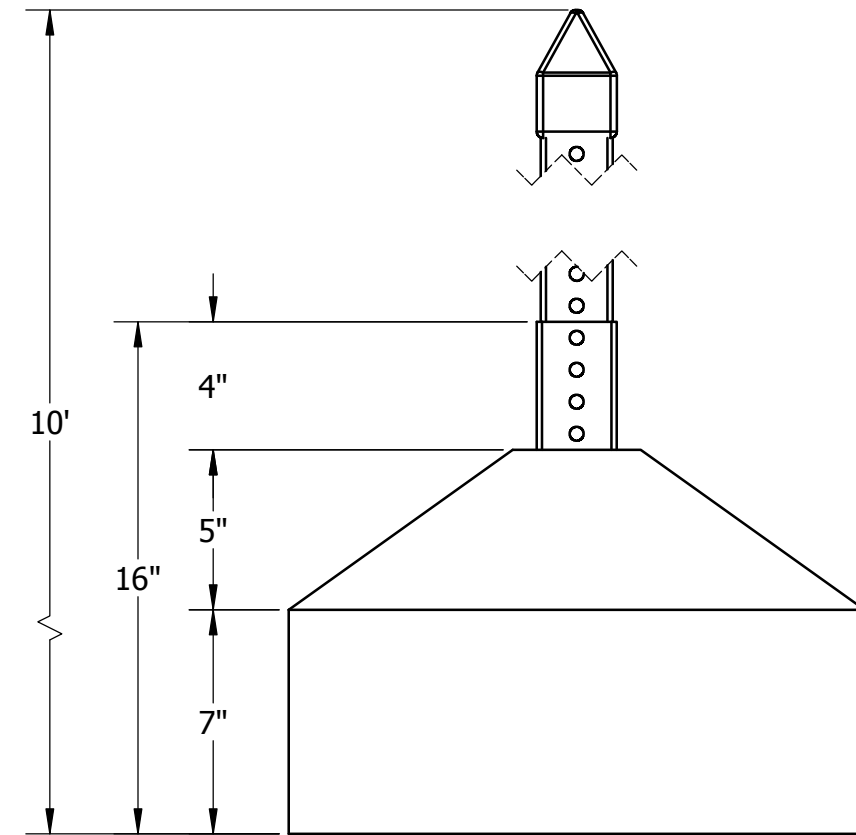
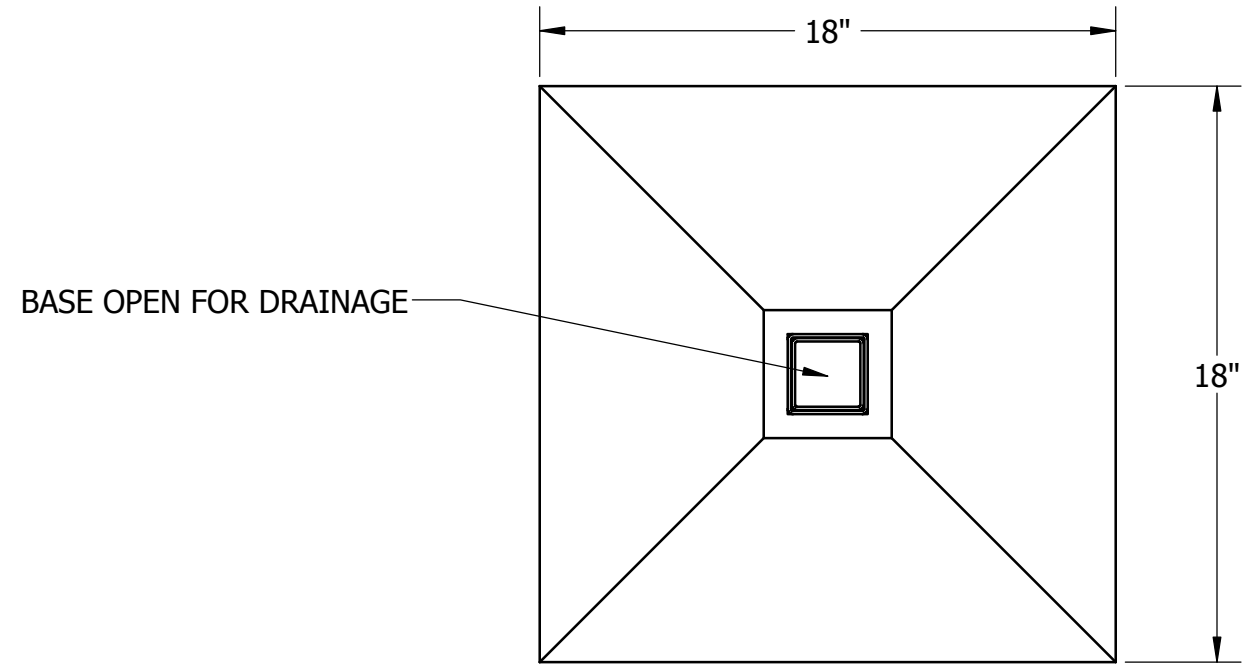



SINGLE POST SIGN BASE



DRAWING TITLE:			
GERDAU LONGSTEEL SIGN BASE			
SHEET TITLE		NAME	DATE
SINGLE POST SIGN BASE DETAIL		DRAWN	D.G.
		DESIGN APPR.	5/12/2016
<small>PROPRIETARY AND CONFIDENTIAL</small> <small>THE INFORMATION CONTAINED IN THIS DRAWING IS THE SOLE PROPERTY OF MULTICRETE SYSTEMS INC. ANY REPRODUCTION IN PART OR AS A WHOLE WITHOUT THE WRITTEN PERMISSION OF MULTICRETE SYSTEMS INC. IS PROHIBITED.</small>		MULTICRETE SYSTEMS INC. UNIT 360-555 HERVO STREET WINNIPEG MANITOBA CANADA R3T 3L6 T: 204 262-5900 F: 204 262-5909	SIZE <b>B</b>
		DWG. NO. <b>MS S1546</b>	REV <b>A-01</b>
SCALE: DO NOT SCALE			SHEET 1 OF 1