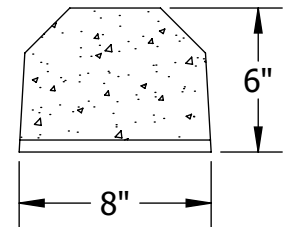
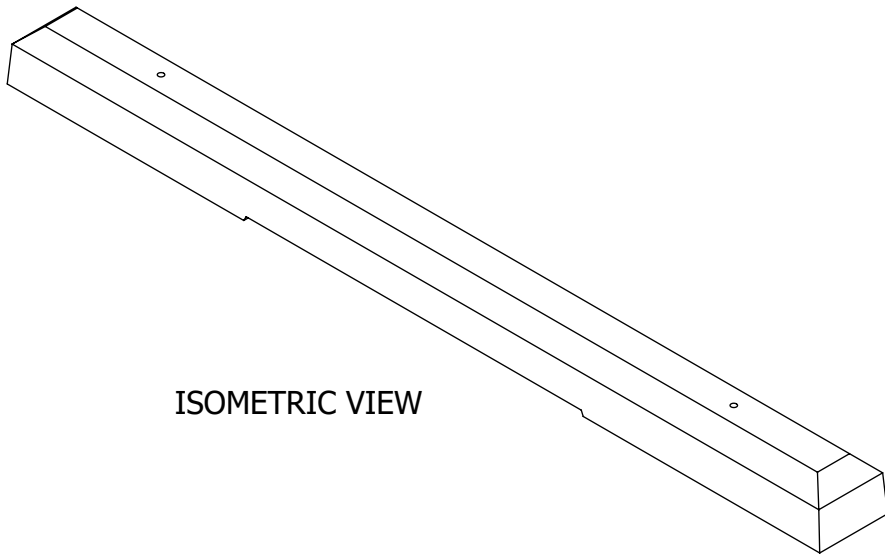
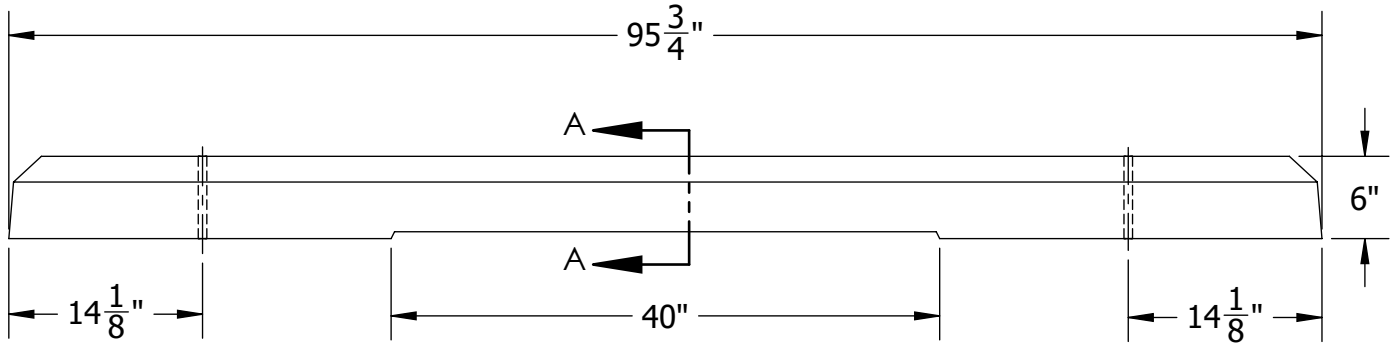


PRODUCT NOTES:
 CONCRETE: 35MPa
 MASS: 153 kg (337 lbs)



PRODUCT NAME

PARKING CURB

PROPRIETARY AND CONFIDENTIAL
 THE INFORMATION CONTAINED IN THIS
 DRAWING IS THE SOLE PROPERTY OF
 MULTICRETE SYSTEMS INC. ANY
 REPRODUCTION IN PART OR AS A WHOLE
 WITHOUT THE WRITTEN PERMISSION OF
 MULTICRETE SYSTEMS INC. IS
 PROHIBITED.



MULTICRETE SYSTEMS INC.
 UNIT 360-555 HERVO STREET
 WINNIPEG MANITOBA
 CANADA R3T 3L6
 T: 204 262-5900
 F: 204 262-5909



PRODUCT NO.

MS S2522

REVISED

11/5/2019