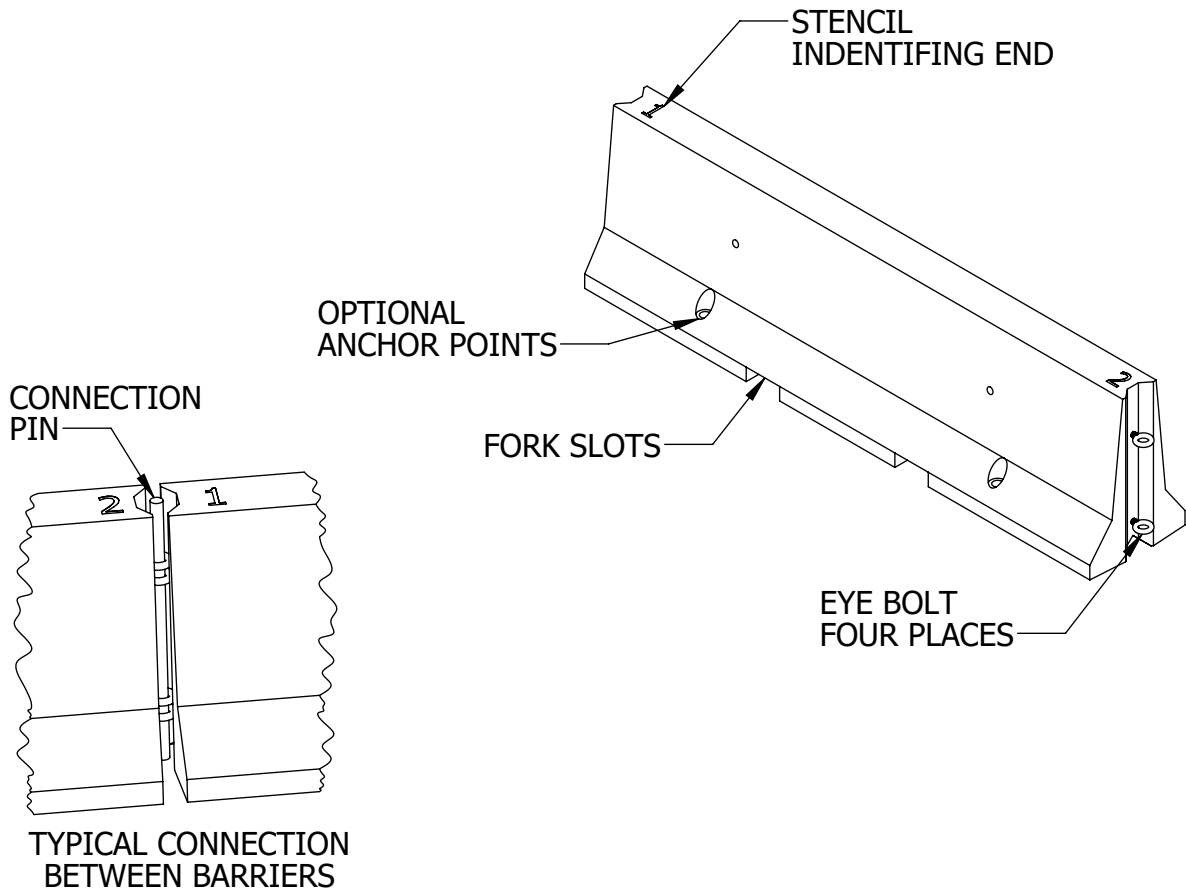
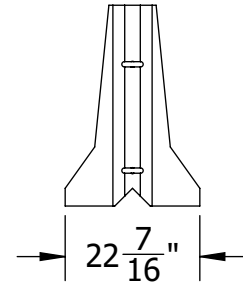
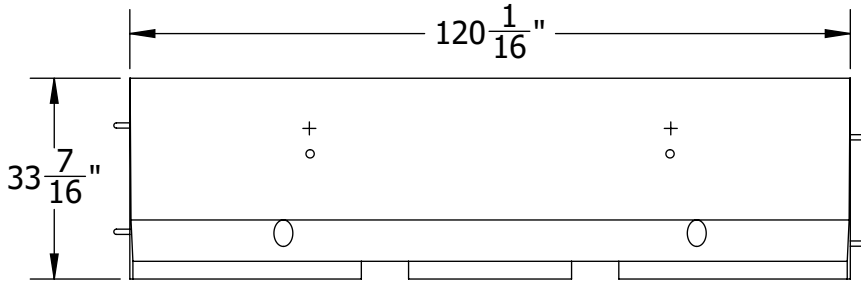
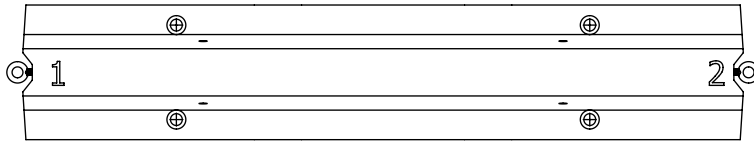


PRODUCT NOTES
 CONCRETE: 40 MPA
 MASS: 1922 Kgs



PRODUCT NAME

MEDIAN BARRIER WITH EYE BOLT AND PIN CONNECTION

PROPRIETARY AND CONFIDENTIAL
 THE INFORMATION CONTAINED IN THIS DRAWING IS THE SOLE PROPERTY OF MULTICRETE SYSTEMS INC. ANY REPRODUCTION IN PART OR AS A WHOLE WITHOUT THE WRITTEN PERMISSION OF MULTICRETE SYSTEMS INC. IS PROHIBITED.



MULTICRETE SYSTEMS INC.
 UNIT 360-555 HERVO STREET
 WINNIPEG MANITOBA
 CANADA R3T 3L6
 T: 204 262-5900
 F: 204 262-5909



PRODUCT NO.

MS S2527

REVISED

11/5/2019