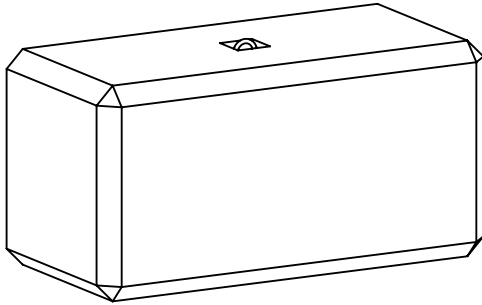
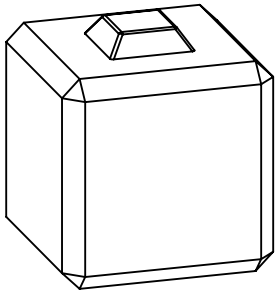


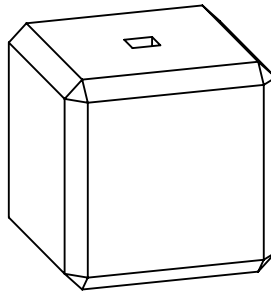
FULL LOCK BLOCK  
30" X 30" X 60"  
APPROX. 2066 Kgs



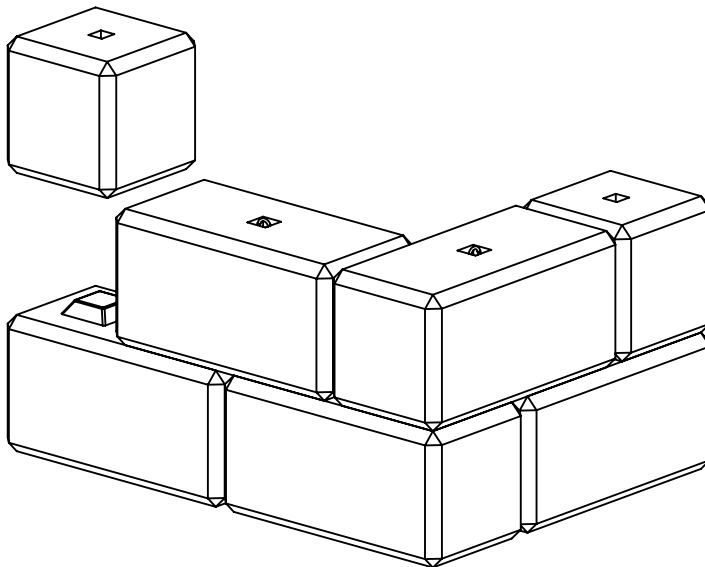
FLAT TOP LOCK BLOCK  
30" X 30" X 60"  
APPROX. 2042 Kgs



HALF LOCK BLOCK  
30" X 30" X 30"  
APPROX. 1033 Kgs



FLAT TOP HALF BLOCK  
30" X 30" X 30"  
APPROX. 1021 Kgs



TYPICAL  
ARRANGEMENT

PRODUCT NAME

## LOCK BLOCKS

**PROPRIETARY AND CONFIDENTIAL**  
THE INFORMATION CONTAINED IN THIS  
DRAWING IS THE SOLE PROPERTY OF  
MULTICRETE SYSTEMS INC. ANY  
REPRODUCTION IN PART OR AS A WHOLE  
WITHOUT THE WRITTEN PERMISSION OF  
MULTICRETE SYSTEMS INC. IS  
PROHIBITED.



MULTICRETE SYSTEMS INC.  
UNIT 360-555 HERVO STREET  
WINNIPEG MANITOBA  
CANADA R3T 3L6  
T: 204 262-5900  
F: 204 262-5909



PRODUCT NO.

MS S2534

REVISED

11/5/2019